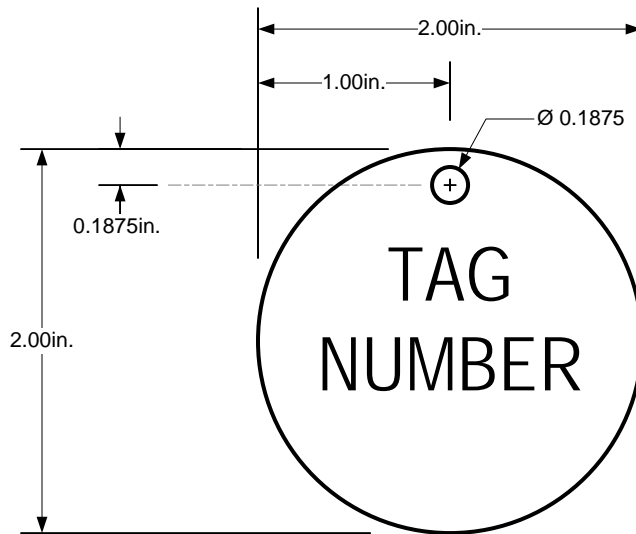


# COLONIAL INSTRUMENTS, INC. LASER ETCHED STAINLESS STEEL TAGS



## STANDARD FEATURES

<b>Material:</b>	304 Stainless Steel
<b>Tag Size:</b>	2.00" Diameter Round x 0.048"
<b>Tag Color:</b>	Bright Annealed Finish
<b>Text:</b>	Black Laser Etched
<b>Standard Text Size:</b>	3/8" Arial Narrow Font
<b>3/8" Characters:</b>	Up to 8 Per Line, Max. 3 Line
<b>1/4" Characters:</b>	Up to 14 Per Line, Max. 3 Lines
<b>3/16" Characters:</b>	Up to 18 Per Line, Max. 4 Lines
<b>Corner:</b>	N/A
<b>Hole:</b>	3/16" Centered at Top

## TAG SPECIFICATION

Colonial Instruments P/N: SSBLE-200R-18-H13-BA, Black Laser Etched Heavy Duty Tag, 304 Stainless Steel, 2.00" Round x 0.048" (18 Gauge), (1) 3/16" Diameter Hole Centered at Top, Bright Annealed Finish, with 12" x 0.020" Stainless Steel Soft Temper Attachment Wire



**COLONIAL INSTRUMENTS, Inc.**  
 ONE CHESTNUT STREET, NASHUA, NH 03060  
 P: (800) 442-8437 • F: (603) 882-7878 • SALES@COLONIALGAUGES.COM

**DATE:** 09-19-2019

**DRAWN BY:** JARROD WILLIAMS

**COLONIAL PART NUMBER:** SSBLE-200R-18-H13-BA